



Electric Radiant Ceiling Heat Panels



FILE #E21069



Installation & Maintenance Instructions

Dear Owner,

Congratulations! Thank you for purchasing this new heater manufactured by Marley Engineered Products. You have made a wise investment selecting the highest quality product in the heating industry. Please carefully read the installation and maintenance directions shown in this manual. You should enjoy years of efficient heating comfort with this product from Marley Engineered Products . . . the industry's leader in design, manufacturing, quality, and service.

*. . . The Employees of
Marley Engineered Products*



WARNING



Read Carefully - These instructions are written to help you prevent difficulties that might arise during installation of heaters. Studying the instructions first may save you considerable time and money later. Observe the following procedures and cut your installation time to a minimum.

1. To prevent possible electrical shock, disconnect ALL power coming to heater at main service panel before wiring or servicing.
2. All wiring must be in accordance with the National and Local Electrical Codes and the heater must be grounded as a precaution against possible electrical shock.
3. Verify the power supply voltage coming to the heater matches the ratings printed on the heater nameplate before energizing.
4. This heater is NOT suitable for use in hazardous locations as described by the National Fire Protection Association (NFPA). DO NOT use in areas where gasoline, paint or other flammable liquids are used or stored. DO NOT use in wet areas or areas where corrosive agents are present, such as marine, green house, chemical storage, swimming pool, or areas of high humidity, unless special custom panels are used. Special custom panels may be available for certain environments. Contact manufacturer for details.
5. To prevent a possible injury or fire from falling panels, panels MUST be securely fastened to the building structure.

When T-bar Mounted: The T-bar grid work frame must be secured to the building to provide adequate support for the panels. Holes are provided in the sides of each panel for attachment of steel support wires for additional support of the panels where the T-bar grid work frame strength is questionable. Support wire must be steel and at least 18 gage (0.047 in. dia. / 0.119 cm. dia).

When Surface or Recess Mounted: The surface or recess mounting frame accessory kits (Models ASF . . . or ARF . . .) must be used. Kits must be sized to match heaters being used. Do not drill holes, drive nails, screws, etc., into or through panels. To do so may result in fire, electric shock, or permanent damage to heater. Surface or recess kits must be securely fastened to building structure using a minimum of four (4) 1/4 inch (.635 cm) diameter screws or bolts.

6. To prevent possible fire due to the overheating of wiring, all field wiring coming to heating panels must be rated at least 90° C when junction box is allowed to lie on top of heating panel or is enclosed between heater and ceiling above. When thermal insulation is used on top of heater, the junction box must be above the insulation.
7. Panels are intended for ceiling installation only. Do not install on walls, floor, etc. Painted (bottom) surface of panel is hot. Panels must be installed at least seven (7) feet off floor and should not be installed where panels can be easily contacted during use. Keep combustibles at least 3 feet (0.9m) from face of heater.

GENERAL

Marley Engineered Products Radiant Heating Panels are designed to provide comfort by warming the surfaces below the heaters just as the sun warms surfaces through radiant energy. This heating process heats objects in a room without having to bring the room air temperature up to the same level. These panels are ideal for spot heating in high heat loss areas. Panels may be installed side by side or individually above areas requiring additional heat. If used as a sole source of heat, more heat will be felt while standing directly under the panel.

Although the heater contains thermal insulation, it will operate more efficiently in well insulated rooms. Four or more inches of insulation above an exposed ceiling will increase both comfort and economy.

The heaters are intended to be controlled by a remote wall mounted thermostat. The thermostat should be located in the same room on a side wall. It should also be above five feet above the floor, but not directly under the heater.

SAVE THESE INSTRUCTIONS

NOTE: For a period of time after the panels are put into operation the owner may notice a “new smell” coming from the heaters. This is expected on new installations and will dissipate after approximately 24 hours of operation.

PAINTING

1. Heaters may be repainted. Do not remove paint from heaters. The surface must be first free of grease or oil. Use only a thin brush-on coat of high quality pure acrylic water base flat latex. An off-white will give better coverage.

Do not paint with aluminum, oil base, vinyl-latex or rubber-base latex paint.

T-BAR MOUNTING

1. The heater panels are designed for installation in T-Bar ceilings.

CAUTION



To prevent possible injury from falling panels, the T-Bar must be securely fastened to the building structure and capable of supporting the weight of the panel (30 pounds). Extra holes are provided for suspending the heater panel (see Fig. 1) on steel wires no smaller than No. 18 ga. (0.047 in. diameter / 0.119 cm diameter). These extra support wires must be used where T-Bar strength is inadequate or where vibration is anticipated.

2. Three (3) inch (7.67cm) minimum distance must be provided between the front painted surface and the ceiling above. However, installation may be difficult and six (6) inches (15.2 cm) or more clearance will improve installation of heaters and inspection or wiring. It may be necessary to remove a cross tee for installation when T-Bars are at close distances to the ceiling.
3. Locate T-Bar hanger wires at the corners where the cross tees intersect the main tees so that they do not interfere with installation or removal of panels.
4. The heater panels are supplied with four built in hanging/hold-down clips which are located on each long side of the heater panel. The clips can be used either to hang the heater with support wires (see Figure 1) or bent as hold down clips to the T-Bar frame (see Figure 2). Carefully lift heater panel into place, making sure hold down clips hook securely over T-bar (see Figure 2).

CAUTION



To prevent possible injury from electric shock, make sure that electricity is turned off at the main switch. All wiring must be done in accordance with national and local codes and the unit must be properly grounded as a precaution against electrical shock.

Fig. 1 SUPPORT WIRES

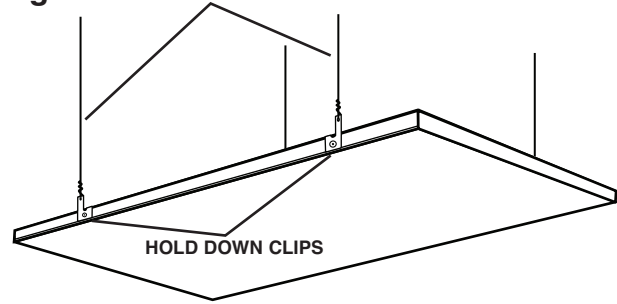
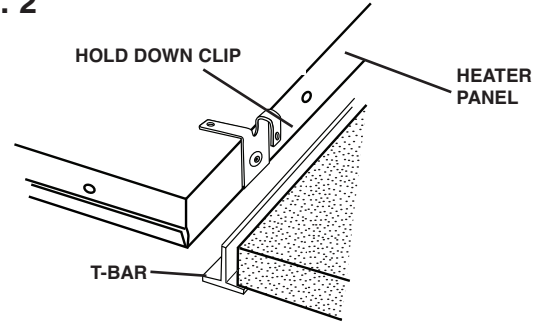


Fig. 2



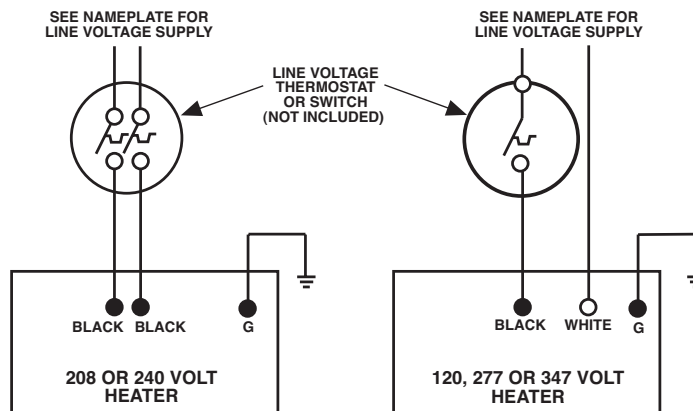
WIRING

1. Maximum number of heaters per circuit is limited to circuit wiring and thermostat or switch capacity. See catalog for available thermostats and Warning No. 2.
2. Make wiring connections in accordance with Fig. 3 (on following page) and wiring instructions. The heater must be properly grounded as a precaution against electrical shock. Use a properly grounded junction box for connecting the heater to the power supply.
3. Always use a properly grounded junction box when splicing. See wiring diagrams for proper connections. Install only in a location where the power supply connections will be accessible. Install junction box as far above panel as possible and above building insulation, where present. Use field wiring suitable for 90 °C if junction box is allowed to lie on heater or is enclosed between heater and ceiling. When installed in a drop ceiling, the wiring terminals should be accessible through removable ceiling sections with adequate clearance to permit access to the top of the heater.

Fig. 3

WIRING DIAGRAM

HEATERS MUST BE PROPERLY GROUNDED



SURFACE MOUNTING

1. The Surface Mounting Kit comes a in separate carton which contain two side frames, two end frames, and eight assembly screws.
2. Assemble the end frames to the side frames using the screws provided (see Fig. 4) before installing on the ceiling.

CAUTION



To prevent possible injury from falling panels, use at least four screws (1/4" or 0.635 minimum diameter) to secure each side frame. Screws must thread securely into a sturdy structural member of the ceiling, such as a ceiling joist. It may be necessary to frame-in an extra support member. Do not finish from dry-wall, plater or other finish ceiling materials.

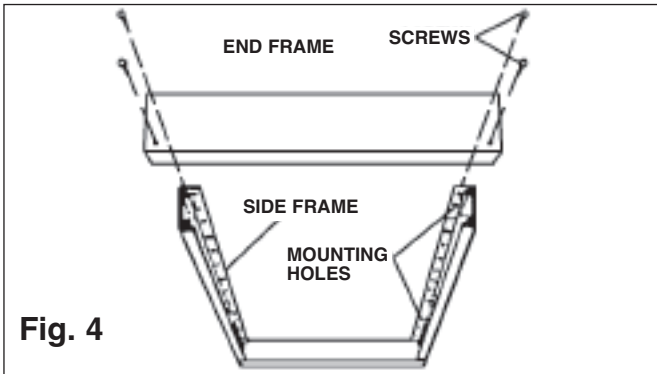


Fig. 4

3. Mounting the frame assembly to the ceiling.
4. Remove one end frame and install heater panel in side frames as shown in Fig. 5.

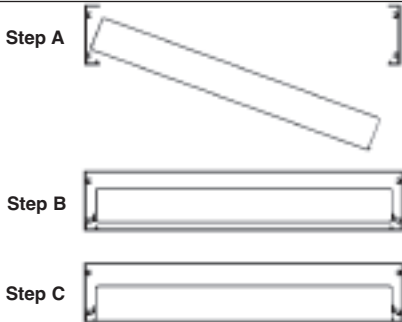
CAUTION



Be sure electricity is turned off at main switch before wiring to prevent possible injury from electric shock.

5. Connect the heater panel leads to the power supply leads (see Fig. 3 and WIRING instructions). The heater must be properly grounded as a precaution against electrical shock. Use a properly grounded junction box for connecting the heater to the power supply. The heater may be moved along side frames to facilitate wiring.
6. Re-assemble the end frame to the side frames to lock the heater panel securely in place.

Fig. 5



CAUTION



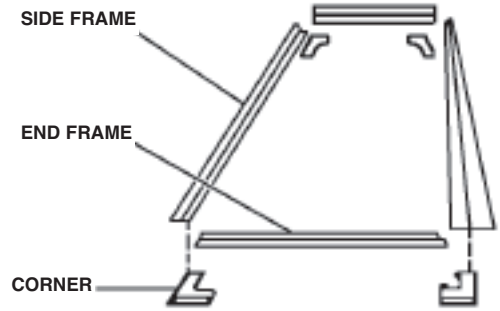
Failure to mount this kit securely may result in serious personal injury from falling heat panels.

RECESS MOUNTING

1. The Recess Mounting Kit comes in a separate carton which contain four frame sections and four corners (See Fig. 6).
2. Recessed heater panels require a cutaway in ceiling and a secure method of support (see Fig. 7). Use boards no

smaller than 2"x 4" (5cm x 10cm) for support. Use screws no smaller than number 10 in each hole provided in side and end frames.

Fig. 6



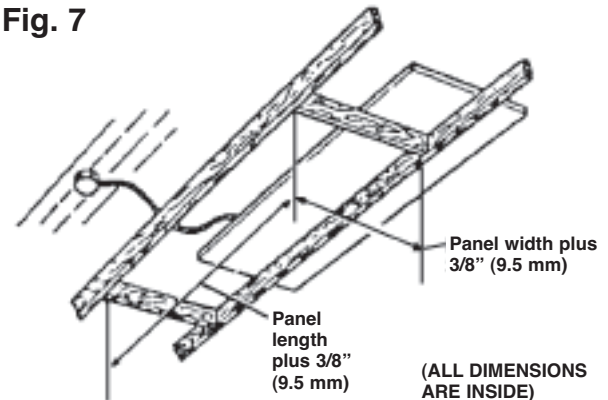
3. Insert the heater panel through the opening (see Fig. 7) and make wiring connections (see Fig. 3 and WIRING instructions). The heater must be properly grounded as a precaution against electrical shock. Use a properly grounded junction box for connecting the heater to the power supply.

CAUTION



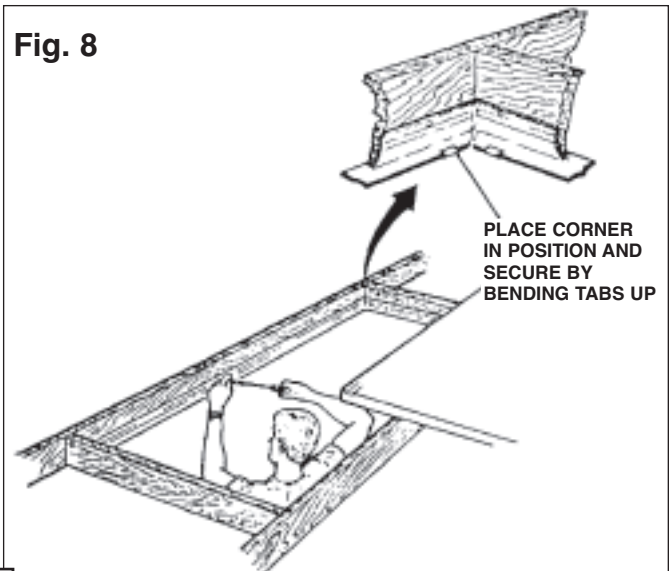
Be sure electricity is turned off at main switch before wiring to prevent possible injury from electric shock.

Fig. 7

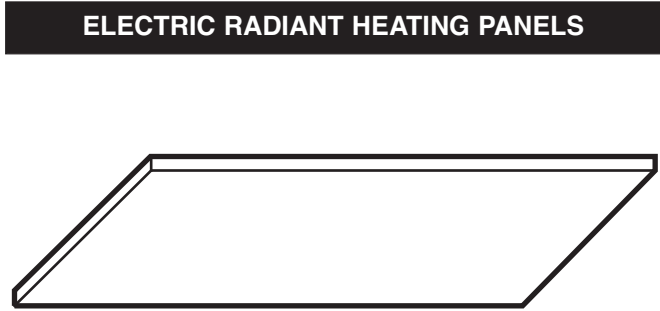


4. Loosely screw side and end frames to ceiling opening, then attach corners in place (see Fig. 8).
5. After attaching corners, tighten screws securely.
6. Carefully lower heater panel in place on frames.

Fig. 8



SPECIFICATIONS: STANDARD SIZE							
Model Number	Catalog Number	Catalog Number	Volts	Watts	BUT/HR	DIM (IN.)	DIM (CM.)
ATL24241A	CP2501	CP251	120	250	853		
ATL24242A	CP2502	CP252	240	250	853		
ATL24248A	CP2508	CP258	208	250	853		
ATL24247A	CP2507	CP257	277	250	853		
ATL24243A	CP2503	CP253	347	250	853	24	61
ATM24241A	CP3101	CP311	120	310	1058	X	X
ATM24242A	CP3102	CP312	240	310	1058		
ATM24248A	CP3108	CP318	208	310	1058	24	122
ATM24247A	CP3107	CP317	277	310	1058		
ATM24243A	CP2103	CP313	347	310	1058	X	X
ATH24241A	CP3751	CP371	120	375	1280	1	2.5
ATH24242A	CP3752	CP372	240	375	1280		
ATH24248A	CP3758	CP378	208	375	1280		
ATH24247A	CP3757	CP377	277	375	1280		
ATH24243A	CP3753	CP373	347	375	1280		
ATL24481A	CP5001	CP501	120	500	1706		
ATL24482A	CP5002	CP502	240	500	1706		
ATL24488A	CP5008	CP508	208	500	1706		
ATL24487A	CP5007	CP507	277	500	1706	24	61
ATL24483A	CP5003	CP503	347	500	1706		
ATM24481A	CP6251	CP621	120	625	2133	X	X
ATM24482A	CP6252	CP622	240	625	2133	48	122
ATM24488A	CP6258	CP628	208	625	2133		
ATM24487A	CP6267	CP627	277	625	2133	X	X
ATM24483A	CP6253	CP623	347	625	2133	1	2.5
ATH24481A	CP7501	CP751	120	750	2560		
ATH24482A	CP7502	CP752	240	750	2560		
ATH24488A	CP7508	CP758	208	750	2560		
ATH24487A	CP7507	CP757	277	750	2560		
ATH24483A	CP7503	CP753	347	750	2560		



SPECIFICATIONS: CUSTOM SIZE			Panel Width	Watt Density	Watts Per Panel								
Model Number	Catalog Number	Catalog Number			Normal Panel Length								
					24"-35"	36"-47"	48"-59"	60"-71"	72"-83"	84"-95"	96"		
AT+**@@#A	BT+**@@#	QT+**@@#											
+ = Watt Density (H=High; M=Medium; L=Low) ** = Width of heater @@ = Length of panel # = AC Voltage designation (1=120; 2=240; 3=347; 7=277; 8=208) ^ = Max. Panel Length = 60 inches ^^ = Max. Panel Length = 72 inches			10"-13"	High	155	235	315	390 [^]	N/A	N/A	N/A	N/A	
			Med.	130	195	260	325 [^]	N/A	N/A	N/A			
			Low	105	155	210	260 [^]	N/A	N/A	N/A			
			14"-17"	High	235	350	470	585 [^]	N/A	N/A	N/A		
			Med.	195	295	390	490 [^]	N/A	N/A	N/A			
			Low	155	235	315	390 [^]	N/A	N/A	N/A			
			18"-21"	High	315	470	625	780	940 ^{^^}	N/A	N/A		
			Med.	260	390	520	650	780 ^{^^}	N/A	N/A			
			Low	210	315	415	520	625 ^{^^}	N/A	N/A			
			22"-28"	High	375	565	750	940	1125	1315	1500		
			Med.	310	470	625	785	940	1095	1250			
			Low	250	375	500	625	750	875	1000			

LIMITED WARRANTY

All products manufactured by Marley Engineered Products are warranted against defects in workmanship and materials for one year from date of installation, except heating elements which are warranted against defects in workmanship and materials for five years from date of installation. This warranty does not apply to damage from accident, misuse, or alteration; nor where the connected voltage is more than 5% above the nameplate voltage; nor to equipment improperly installed or wired or maintained in violation of the product's installation instructions. All claims for warranty work must be accompanied by proof of the date of installation.

The customer shall be responsible for all costs incurred in the removal or reinstallation of products, including labor costs, and shipping costs incurred to return products to Marley Engineered Products Service Center. Within the limitations of this warranty, inoperative units should be returned to the nearest Marley authorized service center or the Marley Engineered Products Center, and we will repair or replace, at our option, at no charge to you with return freight paid by Marley. It is agreed that such repair or replacement is the exclusive remedy available from Marley Engineered Products.

THE ABOVE WARRANTIES ARE IN LIEU OF ALL OTHER WARRANTIES EXPRESSED OR IMPLIED AND ALL IMPLIED WARRANTIES OF MERCHANTABILITY AND FITNESS FOR A PARTICULAR PURPOSE WHICH EXCEED THE AFORESAID EXPRESSED WARRANTIES ARE HEREBY DISCLAIMED AND EXCLUDED FROM THIS AGREEMENT. MARLEY ENGINEERED PRODUCTS SHALL NOT BE LIABLE FOR CONSEQUENTIAL DAMAGES ARISING WITH RESPECT TO THE PRODUCT, WHETHER BASED UPON NEGLIGENCE, TORT, STRICT LIABILITY, OR CONTRACT.

Some states do not allow the exclusion or limitation of incidental or consequential damages, so the above exclusion or limitation may not apply to you. This warranty gives you specific legal rights, and you may also have other rights which vary from state to state.

For the address of your nearest authorized service center, contact Marley Engineered Products in Bennettsville, SC, at 1-800-642-4328. Merchandise returned to the factory must be accompanied by a return authorization and service identification tag, both available from Marley Engineered Products. When requesting return authorization, include all catalog numbers shown on the products.

HOW TO OBTAIN WARRANTY SERVICE AND WARRANTY PARTS PLUS GENERAL INFORMATION

1. Warranty Service or Parts **1-800-642-4328**
2. Purchase Replacement Parts **1-800-654-3545**
3. General Product Information **www.marleymep.com**

Note: When obtaining service always have the following:

1. Model number of the product
2. Date of manufacture
3. Part number or description

5200-2235-006

ECR 38134

03/09

4



Marley

Engineered Products

470 Beauty Spot Rd. East
Bennettsville, SC 29512 USA



Paneles calefactores radiantes eléctricos de techo



FILE #E21069



Instrucciones de Instalación y Mantenimiento

Estimado Propietario,

¡Felicitaciones! Gracias por comprar este nuevo calentador fabricado por Marley Engineered Products. Usted ha efectuado una sabia inversión al seleccionar el producto de la más alta calidad en la industria de calefacción. Por favor lea cuidadosamente las instrucciones de instalación y mantenimiento indicadas en este manual. Usted debería gozar de años de calefacción eficiente con este producto de Marley Engineered Products.....el líder de la industria en diseño, fabricación, calidad y servicio.

.....Los empleados de
Marley Engineered Products



ADVERTENCIA



Lea cuidadosamente - Estas instrucciones están escritas para ayudarlo a prevenir dificultades que pudieran ocurrir durante la instalación de calentadores. El estudiar primero las instrucciones puede ahorrarle mucho tiempo y dinero después. Para cortar a un mínimo su tiempo de instalación, observe los procedimientos siguientes.

1. Antes de cablear o prestar servicio, para prevenir un posible choque eléctrico, desconecte TODA la potencia entrante al calentador en el panel maestro de servicio.
2. Todo el cableado debe conformar con los Códigos Eléctricos Nacionales y Locales y el calentador debe estar conectado a tierra como precaución contra un posible choque eléctrico.
3. Antes de activar, verifique el voltaje del suministro eléctrico entrante al calentador corresponda con las clasificaciones nominales impresas en la placa de nombre.
4. Este calentador NO es apropiado para usar en ubicaciones riesgosas según descrito por la Asociación Nacional de Protección Contra Incendios (NFFPA). NO use en áreas donde se usa o almacena gasolina, pintura u otros líquidos inflamables. NO use en áreas mojadas o áreas donde están presentes agentes corrosivos, tales como marinas, invernaderos, almacenamiento químico, piscinas, o áreas de alta humedad, a menos que se usen paneles especiales. Paneles especiales pueden estar disponibles para ciertos medio ambientes. Consulte con el fabricante para los detalles.
5. Para prevenir una posible lesión o incendio de paneles caídos, los mismos DEBEN sujetarse bien a la estructura del edificio.
Cuando montado en una barra en T: El armazón de trabajo de la rejilla de barra en T debe estar asegurado al edificio para proveer un soporte adecuado para los pa-

neles. Se proveen orificios a los lados de cada panel para fijar los cables de soporte de acero para un soporte adicional de los paneles donde es dudosa la resistencia del armazón de trabajo de la rejilla de la barra en T. El alambre de soporte debe ser de acero y de un calibre 18 por lo menos (0.047 pulg. de diám./0.119 cm de diám.).

- Cuando está montado en la superficie o empotrado: Deben usarse los juegos de accesorios de armazón de montaje de superficie o empotrado (Modelos ASF.....o ARF). Debe determinarse el tamaño de los juegos para corresponder con los calentadores que se usan. No taladre orificios, clave clavos, tornillos, etc., en o a través de los paneles. El hacerlo puede resultar en incendio, choque eléctrico o daño permanente al calentador. Los juegos de superficie o empotrados deben estar bien asegurados a la estructura del edificio usando un mínimo de cuatro (4) tornillos o pernos de 1/4 de pulg. (.635 cm) de diámetro.
6. Para prevenir un posible incendio debido al sobrecalentamiento del cableado, todo el cableado de campo entrante a los paneles de calefacción deben tener una clasificación nominal de 90° C cuando se permite que una caja de empalmes se apoye sobre el tope del panel del calentador o está colocado entre el calentador y el cieloraso arriba. Cuando se usa aislación térmica en el tope del calentador, la caja de empalme debe estar arriba de la aislación.
 7. Los paneles tienen el fin de instalación en el cieloraso. No instale en las paredes, pisos, etc. La superficie pintada (fondo) del panel está caliente. Los paneles deben instalarse a siete (7) pies por lo menos del piso y no deben instalarse cuando los paneles se pueden tocar fácilmente durante el uso. Se DEBE mantener un espacio libre de al menos 0.9 m (3 pies) entre la frontal del calentador y los materiales combustibles.

GENERAL

Los paneles de Calor Radiante Marley Engineered Products están diseñados para proveer bienestar calentando las superficies debajo de los calentadores de la misma manera que el sol calienta las superficies mediante la energía radiante. Este proceso de calefacción calienta objetos en un cuarto sin elevar la temperatura del aire del cuarto al mismo nivel. Esos paneles son ideales para calefacción de sectores en áreas de pérdidas térmicas elevadas. Los paneles pueden instalarse lado por lado o individualmente sobre áreas que requieren calor adicional. Si se usan como fuente exclusiva de calor, se siente más calor mientras la persona está parada directamente debajo del panel.

A pesar que el calentador contiene aislación térmica, operará más eficientemente en cuartos bien aislados. Cuatro o más pulgadas de aislación sobre un cieloraso expuesto incrementarán el bienestar y la economía.

Los calentadores están diseñados para ser controlados por un termostato remoto montado en la pared. El termostato debe estar ubicado en el mismo cuarto en una pared lateral. Debe estar también a cinco pies sobre el piso, pero no directamente debajo del calentador.

GUARDE ESTAS INSTRUCCIONES

NOTA: Por un período después que los paneles se ponen en operación, el propietario puede notar un “olor a nuevo” proveniente de los calentadores. Esto se espera en nuevas instalaciones y se disipará después de 24 horas aproximadamente de operación.

PINTURA

1. Los calentadores pueden repintarse. No elimine la pintura de los calentadores. La superficie debe estar primero libre de grasa o aceite. Use sólo un recubrimiento fino de pincel de látex incoloro de base de acrílico puro y agua de alta calidad. Un color blancuzco proveerá una mejor cobertura.

No pinte con pintura de aluminio, base de aceite, vinilo-látex o de látex de base de goma.

PRECAUCION

Para prevenir una posible lesión de paneles caídos, la barra en T debe estar bien asegurada a la estructura del edificio y capaz de soportar el peso del panel (30 libras). Se proveen orificios adicionales para suspender el panel del calentador (vea la Fig.2) de alambres de acero no menores de calibre 18 (0.047 pulg. de diám./0.119 cm de diám.). Esos cables de soporte adicional deben usarse donde la resistencia de la barra en T no es adecuada o donde se prevee vibración.

MONTAJE DE BARRA EN T

1. Los paneles del calentador están diseñados para instalar en cielorasos de barra en T.
2. Debe proveerse una distancia mínima de tres (3) pulgadas (7.67 cm) entre la superficie delantera pintada y el cieloraso arriba. Sin embargo, la instalación puede ser difícil y seis (6) pulgadas (15.2cm) o más de separación mejorarán la instalación e inspección o cableado de los calentadores. Puede ser necesario extraer una t transversal para instalar, cuando las barras en T están cerca del cieloraso.
3. Ubique los alambres suspensores de la barra en T en las esquinas donde las Tés transversales cortan transversalmente las Tés principales de manera que no interfieran con la instalación o extracción de los paneles.
4. Los paneles del calentador se proveen de cuatro construidos en broches de sujeción situados en cada lado largo del panel del calentador. Los broches de sujeción se pueden utilizar para colgar el calentador con los alambres (vea la Fig. 1) o los broches de sujeción se puede doblar como clips de la ayuda para el marco apropiado de la barra en T

PRECAUCION

Para evitar una posible lesión del choque eléctrico, asegúrese que la electricidad esté desconectada en el interruptor maestro. Todo el cableado debe efectuarse de acuerdo con los códigos nacionales y locales y la unidad debe conectarse adecuadamente a tierra como precaución contra el choque eléctrico.

(vea la Fig.2). Levante cuidadosamente el panel del calentador a su lugar, asegurándose que los broches de sujeción enganchan seguramente sobre la barra en T (vea la Fig.2).

Fig. 1

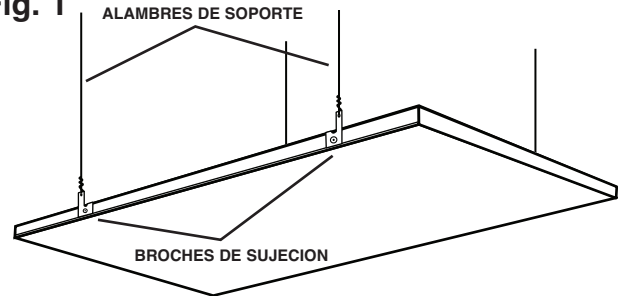
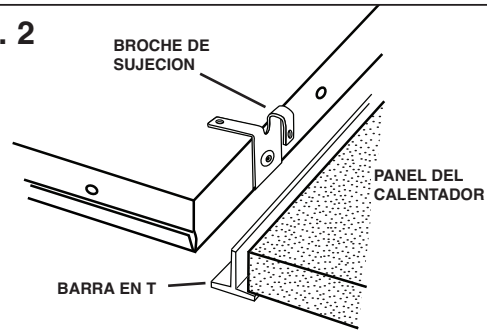


Fig. 2



CABLEADO

1. La cantidad máxima de calentadores por circuito está limitado por el cableado del circuito y por la capacidad del termostato o conmutador. Para los termostatos disponibles y la Advertencia No.2 vea el catálogo.
2. Efectúe las conexiones de cableado de acuerdo con la Fig.3 (en la página siguiente) y las instrucciones de cableado. El calentador debe estar adecuadamente conectado a tierra como precaución contra el choque eléctrico. Use una caja de empalmes adecuadamente conectada a tierra para conectar el calentador al suministro de potencia.
3. Use siempre una caja de empalme adecuadamente conectada a tierra al empalmar. Para las conexiones adecuadas vea el diagrama de cableado. Instale sólo en una ubicación donde las conexiones del suministro de potencia sean accesibles. Instale la caja de empalme a tanta distancia sobre el panel como sea posible y sobre la aislación del edificio, donde esté presente. Use cableado de campo adecuado para 90 grados si se permite que la caja de empalme se apoye sobre el calentador o está colocado entre el calentador y el cieloraso arriba. Cuando está instalado en un cieloraso colgante, los terminales del cableado deben ser accesibles a través de secciones móviles del cieloraso con una separación adecuada para permitir acceso al tope del calentador.

Fig. 3

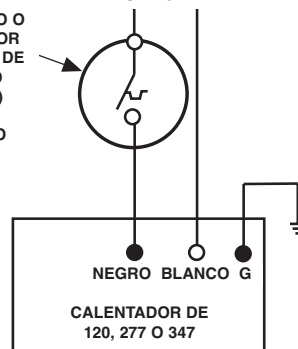
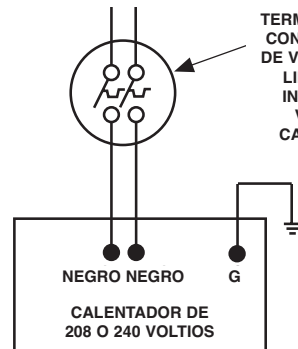
DIAGRAMA DE CABLEADO

LOS CALENTADORES DEBEN CONECTARSE ADECUADAMENTE A TIERRA

VEA LA PLACA DE NOMBRE PARA EL SUMINISTRO DE VOLTAJE DE LINEA

TERMOSTATO O CONMUTADOR DE VOLTAJE DE LINEA (NO INCLUIDO) VEA EL CATALOGO

VEA LA PLACA DE NOMBRE PARA EL SUMINISTRO DEL VOLTAJE DE LINEA



MONTAJE DE SUPERFICIE

1. Los Juegos de Montaje de Superficie se entregan en diferentes cajas que contienen dos armazones laterales, dos armazones de extremo y ocho tornillos de ensamblado.
2. Ensamble los armazones de extremo a los armazones laterales usando los tornillos provistos (vea la Fig.4) antes de instalar en el cieloraso.
3. Montaje del conjunto del armazón al cieloraso.

PRECAUCION



Para prevenir lesiones posibles de paneles caídos, use por lo menos cuatro tornillos (de 1/4" ó 0.635 de diámetro mínimo) para asegurar a cada armazón lateral. Los tornillos deben enroscarse seguramente a un miembro estructural resistente del cieloraso, tal como una viga de cieloraso. Puede ser necesario encuadrar con un armazón un miembro adicional de soporte. No termine la instalación desde materiales de terminación de cieloraso tales como yeso, plateador u otros.

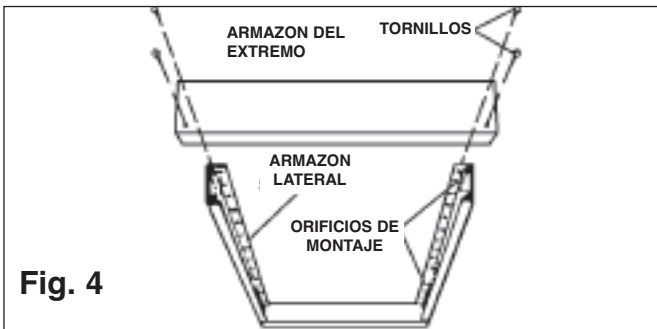


Fig. 4

4. Extraiga un armazón del extremo e instale el panel del calentador en los armazones laterales según se muestra en la Fig.5.
5. Conecte las guías del panel del calentador a las guías de

PRECAUCION

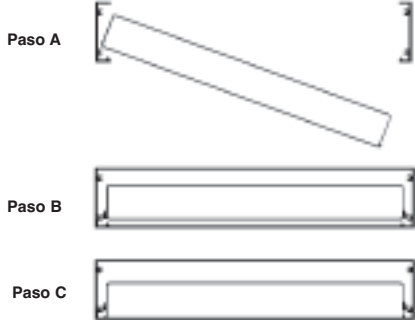


Antes de cablear asegúrese que la electricidad está desconectada en el conmutador principal, para prevenir posibles lesiones por el choque eléctrico.

suministro de potencia (vea la Fig.3 y las instrucciones de CABLEADO). El calentador debe conectarse adecuadamente a tierra como precaución contra el choque eléctrico. Para conectar el calentador al suministro de potencia, use una caja de empalme adecuadamente conectada a tierra. Para facilitar el cableado, el calentador puede moverse a lo largo de los armazones laterales.

6. Reensamble el armazón del extremo a los armazones la-

Fig. 5



PRECAUCION



La falla en montar seguramente este juego puede resultar en lesiones personales graves de paneles caídos del calentador.

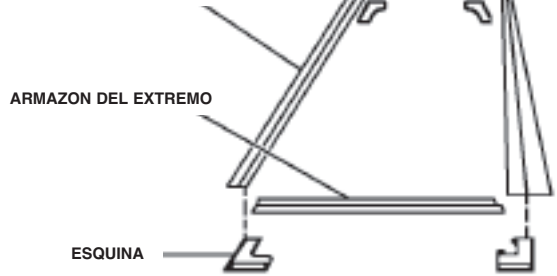
terales para calzar el panel del calentador seguramente en su lugar.

MONTAJE EMPOTRADO

1. Los Juegos de Montaje de Superficie vienen en diferentes cajas que contienen cuatro secciones de armazón y

cuatro esquinas (Vea la Fig.6).

Fig. 6 | ARMAZON LATERAL



2. Los paneles empotrados del calentador requieren un corte en el cieloraso y un método seguro de soporte (vea la Fig.7). Use tablas no menores de 2" x 4" (5cm x 10cm) para soporte. Use tornillos no menores que el número 10 en cada orificio provisto en los armazones laterales y del extremo.

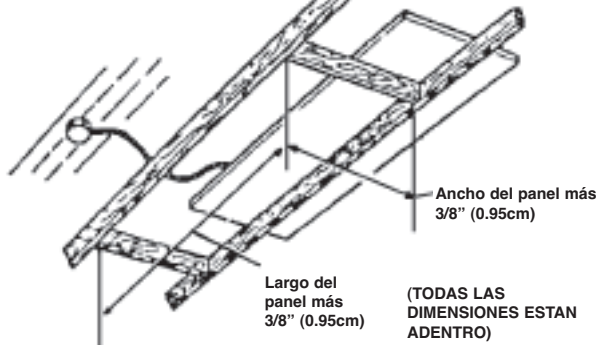
3. Inserte el panel del calentador a través de la abertura (vea la Fig.7) y efectúe las conexiones del cableado (vea la Fig.3 y las instrucciones de CABLEADO). Como precaución contra el choque eléctrico, el calentador debe estar adecuadamente conectado a tierra. Para conectar el calentador al suministro de potencia, use una caja de empalme adecuadamente conectada a tierra.

PRECAUCION



Antes de cablear asegúrese que la electricidad está desconectada en el conmutador principal, para prevenir posibles lesiones por el choque eléctrico.

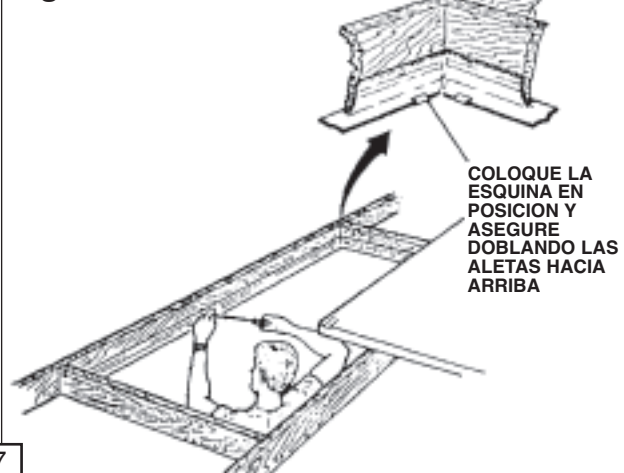
Fig. 7



4. Atornille flojamente los armazones laterales y del extremo a la abertura del cieloraso y a continuación fije las esquinas en su lugar (vea la Fig.8).

5. Después de fijar las esquinas, ajuste bien los tornillos.
6. Baje cuidadosamente el panel del calentador en su lugar en los armazones.

Fig. 8



PANELES RADIANTES DEL CALENTADOR ELECTRICO AZTEC

ESPECIFICACIONES: TAMAÑO ESTANDAR							
Número de Modelo	Número de Catálogo	Número de Catálogo	Voltios	Vatios	BUT/HR	DIAM (PULG.)	DIAM (CM.)
ATL24241A	CP2501	CP251	120	250	853		
ATL24242A	CP2502	CP252	240	250	853		
ATL24248A	CP2508	CP258	208	250	853		
ATL24247A	CP2507	CP257	277	250	853		
ATL24243A	CP2503	CP253	347	250	853	24	61
ATM24241A	CP3101	CP311	120	310	1058	X	X
ATM24242A	CP3102	CP312	240	310	1058		
ATM24248A	CP3108	CP318	208	310	1058	24	122
ATM24247A	CP3107	CP317	277	310	1058	X	X
ATM24243A	CP2103	CP313	347	310	1058		
ATH24241A	CP3751	CP371	120	375	1280	1	2.5
ATH24242A	CP3752	CP372	240	375	1280		
ATM24248A	CP3758	CP378	208	375	1280		
ATM24247A	CP3757	CP377	277	375	1280		
ATM24243A	CP3753	CP373	347	375	1280		
ATL24481A	CP5001	CP501	120	500	1706		
ATL24482A	CP5002	CP502	240	500	1706		
ATL24488A	CP5008	CP508	208	500	1706		
ATL24487A	CP5007	CP507	277	500	1706	24	61
ATL24483A	CP5003	CP503	347	500	1706		
ATM24481A	CP6251	CP621	120	625	2133	X	X
ATM24482A	CP6252	CP622	240	625	2133	48	122
ATM24488A	CP6258	CP628	208	625	2133		
ATM24487A	CP6267	CP627	277	625	2133	X	X
ATM24483A	CP6253	CP623	347	625	2133	1	2.5
ATH24481A	CP7501	CP751	120	750	2560		
ATH24482A	CP7502	CP752	240	750	2560		
ATH24488A	CP7508	CP758	208	750	2560		
ATH24487A	CP7507	CP757	277	750	2560		
ATH24483A	CP7503	CP753	347	750	2560		



ESPECIFICACIONES: TAMAÑO ESPECIAL			Ancho del Panel	Densidad de Vatios	Vatios por Panel													
Número de Modelo	Número de Catálogo	Número de Catálogo			Largo Normal del Panel													
					24"-35"	36"-47"	48"-59"	60"-71"	72"-83"	84"-95"	96"							
AT+**@@#A	BT+**@@#	QT+**@@#																
+ = Densidad de Vatios (H = Alto; M = Medio; L = Bajo)			10" - 13"	Alto	155	235	315	390^	N/A	N/A	N/A	N/A	N/A	N/A	N/A	N/A	N/A	N/A
** = Ancho del calentador			14" - 17"	Med.	130	195	260	325^	N/A	N/A	N/A	N/A	N/A	N/A	N/A	N/A	N/A	N/A
@ = Largo del panel				Bajo	105	155	210	260^	N/A	N/A	N/A	N/A	N/A	N/A	N/A	N/A	N/A	N/A
# = Designación del voltaje de CA (1=120, 2=240; 3=347; 7=277; 8=208)				Alto	235	350	470	585^	N/A	N/A	N/A	N/A	N/A	N/A	N/A	N/A	N/A	N/A
^ = Long. Máx. del panel = 60 pulgadas			18" - 21"	Med.	195	295	390	490^	N/A	N/A	N/A	N/A	N/A	N/A	N/A	N/A	N/A	N/A
^^ = Long. Máx. del panel = 72 pulgadas				Bajo	155	235	315	390^	N/A	N/A	N/A	N/A	N/A	N/A	N/A	N/A	N/A	N/A
				Alto	315	470	625	780	940^^	N/A	N/A	N/A	N/A	N/A	N/A	N/A	N/A	N/A
			22" - 28"	Med.	260	390	520	650	780^^	N/A	N/A	N/A	N/A	N/A	N/A	N/A	N/A	N/A
				Bajo	210	315	415	520	625^^	N/A	N/A	N/A	N/A	N/A	N/A	N/A	N/A	N/A
				Alto	375	565	750	940	1125	1315	1500							
				Med.	310	470	625	785	940	1095	1250							
				Bajo	250	375	500	625	750	875	1000							

GARANTIA LIMITADA

Todos los productos fabricados por Marley Engineered Products están garantizados contra defectos de mano de obra y materiales durante un año a partir de la fecha de instalación. Esta garantía no se aplica por daños ocurridos por accidente, mal uso, o alteración, ni cuando el voltaje conectado sea 5% mayor que el indicado en la placa de nombre; ni al equipo instalado o cableado indebidamente, o mantenido en violación de las instrucciones de instalación del producto. Todos los reclamos de trabajo de garantía deben estar acompañados por prueba de la fecha de instalación.

El cliente será responsable por todos los costos incurridos en la extracción o reinstalación de los productos, incluyendo costos de mano de obra, y costos de transporte incurridos al retornar los productos a Marley Engineered Products Service Center y nosotros las repararemos o reemplazaremos, a nuestra opción, sin cargo para usted, con transporte de regreso pagado por Marley. Se acuerda mutuamente que tal reparación o reemplazo es el remedio exclusivo disponible de Marley Engineered Products.

LAS GARANTIAS INDICADAS ARRIBA SON A CAMBIO DE CUALQUIER OTRA GARANTIA EXPRESA O IMPLICITA Y SE DESCONOCEN Y EXCLUYEN DE ESTE ACUERDO TODAS LAS GARANTIAS IMPLICITAS DE COMERCIALIZACION Y APTITUD PARA UN FIN PARTICULAR QUE EXCEDAN LAS GARANTIAS PREVIAMENTE EXPRESADAS. MARLEY ELECTRICAL NO SERA RESPONSABLE POR DAÑOS CONSECUENTES ORIGINADOS POR EL PRODUCTO, YA SEAN QUE ESTEN BASADOS EN NEGLIGENCIA, LITIGACION, RESPONSABILIDAD ESTRICTA O CONTRATO.

Algunos estados no permiten la exclusión o limitación de los daños incidentales o consecuentes, de manera que la exclusión o limitación indicada arriba puede no aplicarse a usted. Esta garantía le otorga derechos legales específicos, y usted puede tener también otros derechos que varían de estado a estado.

Llame a Marley Engineered Products, Bennettsville, SC 29512 EE.UU., al 1-800-642-4328, para la dirección de su centro autorizado de servicio más cercano. La mercadería retornada a la fábrica debe estar acompañada por una autorización de retorno y una etiqueta de identificación de servicio, ambas disponibles de Marley Engineered Products. Incluya todos los números de catálogo mostrados en el producto, al requerir autorización de retorno.

COMO OBTENER SERVICIO EN GARANTIA, PIEZAS DE REPUESTO E INFORMACION GENERAL

- Servicio o repuestos, en garantía: **1-800-642-4328**
- Compra de piezas de repuesto: **1-800-654-3545**
- Información general sobre productos: **www.marleymep.com**

Nota: Cuando solicite servicio, siempre dé la información que sigue:

- Número de modelo del producto
- Fecha de fabricación
- Número de parte o descripción

5200-2235-006

ECR 38134

03/09

8



Marley
Engineered Products

470 Beauty Spot Rd. East
Bennettsville, SC 29512 USA

Panneaux électriques de chaleur radiante de plafond



Instructions d'installation et d'entretien

Cher propriétaire,

Félicitations! Nous vous remercions d'avoir acheté ce nouveau radiateur fabriqué par Marley Engineered Products. Vous avez fait un bon investissement en sélectionnant le produit de la plus haute qualité de l'industrie du chauffage. Veuillez lire attentivement les instructions d'installation et d'entretien de ce manuel. Vous apprécierez des années de chauffage efficace et confortable avec ce produit de Marley Engineered Products... le leader de l'industrie pour la conception, la fabrication, la qualité et l'entretien.

*. . . Les employés de
Marley Engineered Products*



AVERTISSEMENT



Lire attentivement - Ces instructions ont été écrites pour vous aider à éviter des difficultés qui peuvent se produire pendant l'installation des radiateurs. Étudier les instructions avant de procéder à l'installation peut faire gagner du temps et éviter des dépenses considérables plus tard. Observer les procédures suivantes pour réduire le temps d'installation au minimum.

1. Pour éviter des risques d'électrocution, débrancher TOUTES les sources d'alimentation du radiateur depuis le panneau d'alimentation principal avant de câbler ou d'effectuer un entretien.
2. Tout le câblage doit être conforme avec les codes locaux et nationaux et le radiateur doit être mis à la terre comme précaution contre les risques d'électrocution.
3. Vérifier que la tension d'alimentation arrivant au radiateur corresponde à la tension nominale imprimée sur la plaque signalétique du radiateur avant de le mettre sous tension.
4. Ce radiateur ne convient PAS à une utilisation dans les emplacements dangereux décrits par l'association nationale de protection contre les incendies (NFPA). NE PAS l'utiliser dans les endroits où de l'essence, de la peinture ou d'autres liquides inflammables sont utilisés ou stockés. NE PAS utiliser dans les lieux humides ou dans les lieux où des agents corrosifs sont présents, tels que les marinas, les serres, les lieux de remisage de produits chimiques, les piscines, ou les lieux à forte humidité, à moins que des panneaux spéciaux faits sur mesures ne soient utilisés. Des panneaux spéciaux sur mesures sont disponibles pour certains environnements. Contacter le fabricant pour plus de détails.
5. Pour éviter des blessures ou des incendies causées par la chute de panneaux, ceux-ci doivent être fermement fixés à la charpente du bâtiment.

Lors de fixation sur fer en T : la grille de fers en T doit être fixée à la charpente pour fournir un support approprié aux panneaux. Des trous sont prévus dans les côtés de chaque panneau pour fixer des fils d'acier de support pour un support supplémentaire des panneaux là où la résistance de la grille de fers en T est insuffisante. Le fil de support doit être en acier et au moins de jauge 18 (1,19 mm de diamètre).

Pour une fixation en surface ou encastrée : les kits d'accessoires de châssis encastré ou en surface (modèles ASF ... ou ARF ...) doivent être utilisés. Les dimensions des kits doivent correspondre aux radiateurs utilisés. Ne pas percer de trous ni enfoncer de clous, vis, etc., dans les panneaux. Ceci pourrait résulter en incendie, électrocution, ou dégâts permanents du radiateur. Les kits de fixation encastrée ou en surface doivent être fermement fixés à la charpente avec au moins quatre (4) vis ou boulons de 6,3 mm de diamètre.

6. Pour éviter un risque d'incendie causé par la surchauffe des fils, tous les fils reliés aux panneaux de chauffage doivent être prévus pour une température minimum de 90°C lorsque la boîte de jonction est posée sur le panneau de chauffage ou est contenue entre le radiateur et le plafond au-dessus du radiateur. Lorsqu'une isolation thermique est utilisée au-dessus du radiateur, la boîte de jonction doit être au-dessus de l'isolation.
7. Les panneaux sont conçus uniquement pour une installation au plafond. Ne pas installer sur des murs, sur le sol, etc. La surface peinte (inférieure) du panneau est chaude. Les panneaux doivent être installés à au moins 2,14 mètres au-dessus du sol, et ne doivent pas être installés là où les panneaux peuvent facilement être touchés pendant leur emploi. Un dégagement minimal de 0,9 m (3 pi) DOIT être maintenu entre la partie avant du radiateur et les produits combustibles.

GÉNÉRALITÉS

Les panneaux de chaleur radiante Marley Engineered Products sont conçus pour fournir une chaleur confortable en réchauffant la surface en dessous d'eux de la même manière que le soleil réchauffe les surfaces par l'énergie irradiée. Ce processus de chauffage réchauffe les objets dans une pièce sans avoir besoin d'amener la température de la pièce à la même température. Ces panneaux sont idéaux pour le chauffage localisé dans les zones à forte perte de chaleur. Ils peuvent être installés côte à côte ou individuellement au-dessus des zones nécessitant un chauffage supplémentaire. S'ils sont utilisés comme seule source de chaleur, une plus grande chaleur sera ressentie en

étant directement en dessous du panneau.

Bien que le radiateur contienne une isolation thermique, il fonctionne plus efficacement dans une pièce bien isolée. Dix centimètres ou plus d'isolation au-dessus d'un plafond exposé augmentent le confort et l'économie.

Les radiateurs sont prévus pour être contrôlés par un thermostat mural monté à distance. Le thermostat doit être placé dans la même pièce sur une paroi murale. Il doit également être au moins 1,50 mètres au-dessus du sol, mais pas directement en dessous du radiateur.

CONSERVER CES INSTRUCTIONS

REMARQUE : Pendant une certaine période après la mise en service des radiateurs, l'utilisateur peut remarquer une "odeur de neuf" émanant des radiateurs. Ceci est attendu sur les nouvelles installations et se dissipe au bout d'environ 24 heures de fonctionnement.

PEINTURE

1. Les radiateurs peuvent être repeints. Ne pas retirer la peinture des radiateurs. La surface doit tout d'abord être débarrassée des graisses et de l'huile. Appliquer uniquement une fine couche au pinceau de peinture latex acrylique mate à base aqueuse de haute qualité. Un ton écru assure une meilleure couverture.

FIXATION SUR FER EN T

1. Les panneaux de radiateur sont conçus pour installation dans les plafonds à fers en T.

ATTENTION



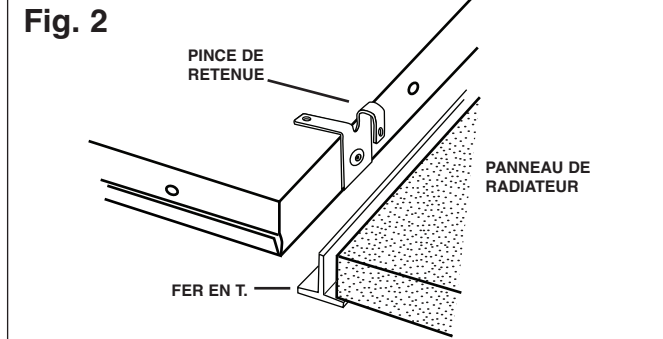
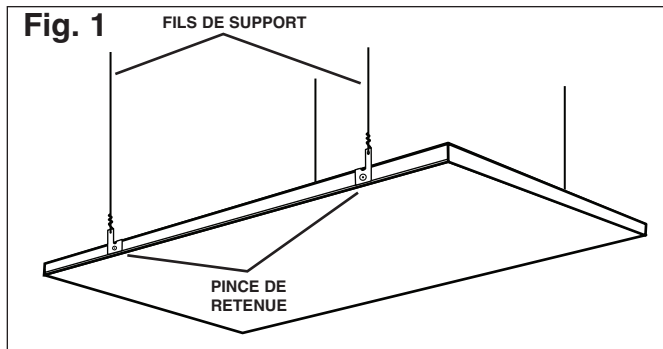
Pour éviter le risque de blessures provoquées par la chute de panneaux, les fers en T doivent être fermement fixés à la charpente et capables de supporter le poids du panneau (13,6 kg). Des trous supplémentaires sont prévus pour suspendre le panneau de radiateur (voir la figure 2) sur des fils d'acier d'un diamètre minimum de 1,19 mm (jauge 18). Ces fils de support supplémentaire doivent être utilisés lorsque la résistance du fer en T n'est pas appropriée ou s'il y a risque de vibrations.

2. Une distance minimum de 76,7 mm doit être prévue entre la surface peinte avant et le plafond au-dessus. Cependant, l'installation peut être difficile et un jeu de 152 mm ou plus facilitera l'installation des radiateurs et l'inspection du câblage. Il peut être nécessaire de déposer une traverse en T pour permettre l'installation lorsque les fers en T sont proches du plafond.
3. Placer les fils de suspension des fers en T aux coins où les traverses en T croisent les fers en T principaux pour qu'ils ne gênent par l'installation et la dépose des panneaux.
4. Les panneaux de réchauffeur sont fournis avec quatre pinces de retenue situées de chaque long côté du panneau de réchauffeur. Les pinces de retenue peuvent être utilisées pour accrocher le réchauffeur avec des fils de support (voir la figure 1) ou être pliées comme maintiennent des agrafes à l'armature de fer en T (voir la figure 2). Soulever soigneusement le panneau de radiateur en place, en s'assurant que les pinces de retenue s'accrochent fermement sur les fers en T (voir la figure 2).

ATTENTION



Pour éviter les risques d'électrocution, s'assurer que l'alimentation soit coupée au disjoncteur principal. Tout le câblage doit être effectué conformément aux codes applicables et le radiateur doit être correctement mis à la terre à titre de précaution contre les risques d'électrocution.



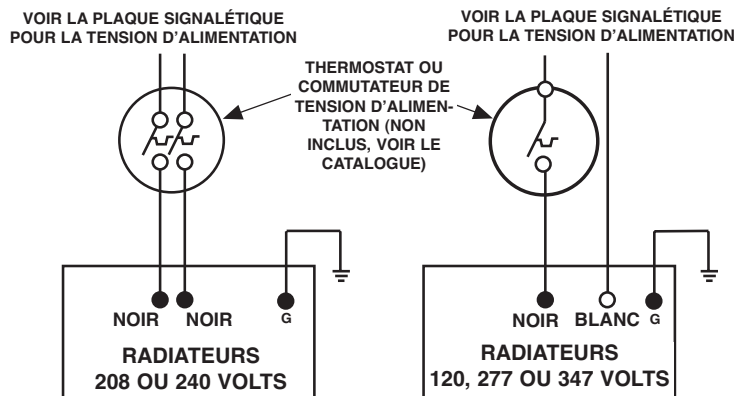
CÂBLAGE

1. Le nombre maximum de radiateurs par circuit est limité par la capacité du câblage du circuit et du thermostat ou du commutateur. Consulter le catalogue pour les thermostats disponibles et l'avertissement n° 2.
2. Effectuer les connexions électriques conformément à la figure 3 (sur la page suivante) et aux instructions de câblage. Le radiateur doit être mis correctement à la terre comme précaution contre les risques d'électrocution. Utiliser une boîte de jonction correctement mise à la terre pour brancher le radiateur sur la source d'alimentation.
3. Toujours utiliser une boîte de jonction correctement mise à la terre lors des raccords. Voir le schéma de câblage pour les connexions correctes. Installer les radiateurs uniquement dans les emplacements où les connexions d'alimentation sont accessibles. Installer la boîte de jonction aussi loin que possible au-dessus du panneau, et au-dessus de l'isolation du bâtiment, s'il y a lieu. Utiliser des fils prévus pour une température de 90 degrés si la boîte de jonction est posée sur le panneau de chauffage ou est contenue entre le radiateur et le plafond au-dessus du radiateur. Lors de l'installation dans un plafond suspendu, le bornier doit être accessible au travers de sections de plafond amovibles avec suffisamment de place pour permettre l'accès au dessus du radiateur.

Fig. 3

SCHÉMA DE CÂBLAGE

LES RADIATEURS DOIVENT ÊTRE CORRECTEMENT MIS À LA TERRE



FIXATION EN SURFACE

1. Le kit de fixation en surface est fourni dans des emballages séparés qui contiennent deux cadres latéraux, deux cadres d'extrémité et huit vis d'assemblage.
2. Assembler les cadres d'extrémité aux cadres latéraux en utilisant les vis fournies (voir la figure 4), avant l'installation au plafond.

ATTENTION

Pour éviter le risque de blessures causées par la chute de panneaux, utiliser au moins quatre vis (de 6,35 mm de diamètre) pour fixer chaque cadre latéral. Les vis doivent être fermement vissées dans une structure robuste du plafond, telle qu'une poutre du plafond. Il peut être nécessaire d'installer une poutre supplémentaire. Ne pas fixer sur du placo-plâtre, du plâtre ou autre matériaux de finition.

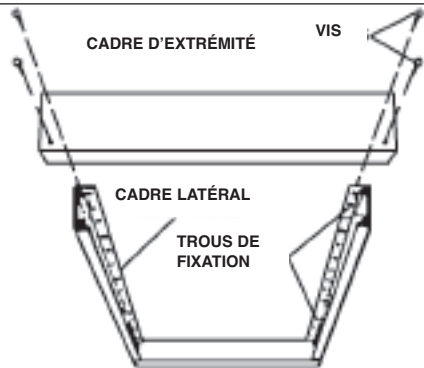


Fig. 4

3. Fixer le cadre au plafond.
4. Déposer un cadre d'extrémité et installer le panneau de radiateur dans les cadres latéraux comme illustré dans la figure 5.

ATTENTION

Pour éviter les risques d'électrocution, s'assurer que l'alimentation soit coupée au disjoncteur principal avant d'effectuer le câblage.

3. Fixer le cadre au plafond.
4. Déposer un cadre d'extrémité et installer le panneau de radiateur dans les cadres latéraux comme illustré dans la figure 5.

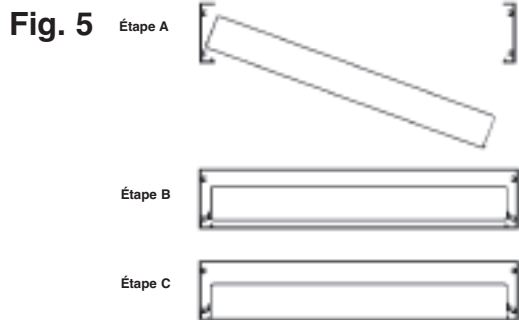


Fig. 5

ATTENTION

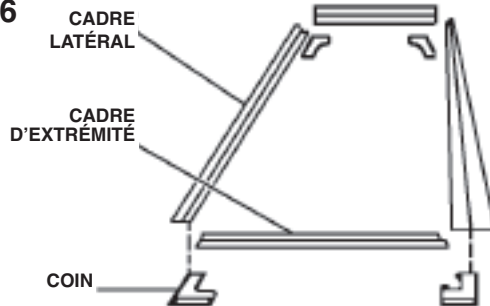
Ne pas fermement fixer ce kit peut résulter en blessures graves causées par la chute de panneaux de radiateur.

5. Connecter les fils de panneau de radiateur aux fils d'alimentation (voir la figure 3 et les instructions de CÂBLAGE). Le radiateur doit être correctement mis à la terre pour éviter les risques d'électrocution. Utiliser une boîte de jonction correctement mise à la terre pour relier le radiateur à l'alimentation. Le radiateur peut être déplacé le long des cadres latéraux pour faciliter le câblage.
6. Re-monter le cadre d'extrémité sur les cadres latéraux pour bloquer le radiateur fermement en place.

FIXATION ENCASTRÉE

1. Le kit de fixation encastrée est fourni dans des emballages séparés qui contiennent quatre morceaux de cadre et quatre coins (voir la figure 6).

Fig. 6

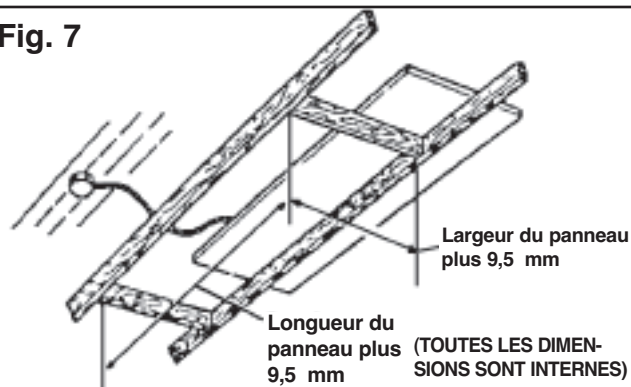


2. Les panneaux de radiateur encastrés nécessitent une découpe dans le plafond et une méthode de support sûre (voir la figure 7). Utiliser pour le support des planches d'au moins 5 cm x 10 cm. Utiliser des vis au moins numéro 10 dans chaque trou prévu dans les cadres d'extrémité et latéraux.

ATTENTION

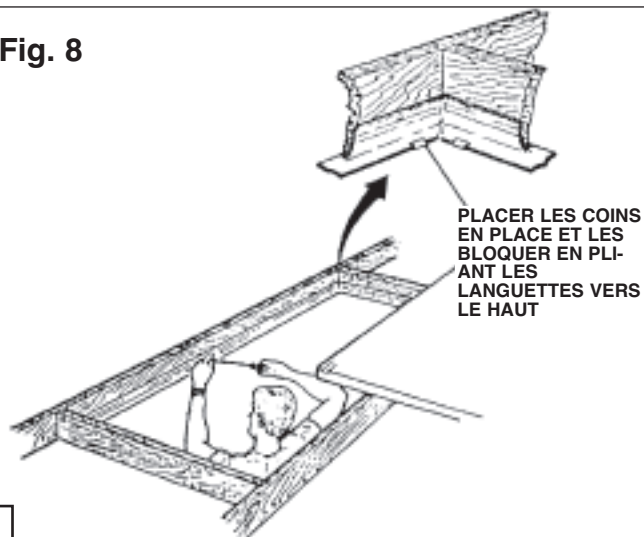
Pour éviter les risques d'électrocution, s'assurer que l'alimentation soit coupée au disjoncteur principal avant d'effectuer le câblage.

Fig. 7



3. Insérer le panneau de radiateur dans l'ouverture (voir la figure 7) et effectuer les connexions électriques (voir la figure 3 et les instructions de CÂBLAGE). Le radiateur doit être correctement mis à la terre pour éviter les risques d'électrocution. Utiliser une boîte de jonction correctement mise à la terre pour relier le radiateur à l'alimentation.
4. Visser légèrement les cadres d'extrémité et latéraux dans l'ouverture du plafond, puis fixer les coins en place (voir la figure 8).
5. Après avoir fixé les coins, serrer fermement les vis.
6. Abaisser prudemment le panneau de radiateur en place sur les cadres.

Fig. 8



CARACTÉRISTIQUE : DIMENSION STANDARD							
N° de modèle	N° de catalogue	N° de catalogue	Volts	Watts	BUT/H	DIM (PO.)	DIM (CM.)
ATL24241A	CP2501	CP251	120	250	853	24	61
ATL24242A	CP2502	CP252	240	250	853		
ATL24248A	CP2508	CP258	208	250	853		
ATL24247A	CP2507	CP257	277	250	853		
ATL24243A	CP2503	CP253	347	250	853		
ATM24241A	CP3101	CP311	120	310	1058	X	X
ATM24242A	CP3102	CP312	240	310	1058	24	122
ATM24248A	CP3108	CP318	208	310	1058		
ATM24247A	CP3107	CP317	277	310	1058		
ATM24243A	CP2103	CP313	347	310	1058	X	X
ATH24241A	CP3751	CP371	120	375	1280	1	2.5
ATH24242A	CP3752	CP372	240	375	1280		
ATH24248A	CP3758	CP378	208	375	1280		
ATH24247A	CP3757	CP377	277	375	1280		
ATH24243A	CP3753	CP373	347	375	1280		
ATL24481A	CP5001	CP501	120	500	1706	24	61
ATL24482A	CP5002	CP502	240	500	1706		
ATL24488A	CP5008	CP508	208	500	1706		
ATL24487A	CP5007	CP507	277	500	1706		
ATL24483A	CP5003	CP503	347	500	1706		
ATM24481A	CP6251	CP621	120	625	2133	X	X
ATM24482A	CP6252	CP622	240	625	2133	48	122
ATM24488A	CP6258	CP628	208	625	2133		
ATM24487A	CP6267	CP627	277	625	2133		
ATM24483A	CP6253	CP623	347	625	2133	X	X
ATH24481A	CP7501	CP751	120	750	2560	1	2.5
ATH24482A	CP7502	CP752	240	750	2560		
ATH24488A	CP7508	CP758	208	750	2560		
ATH24487A	CP7507	CP757	277	750	2560		
ATH24483A	CP7503	CP753	347	750	2560		

PANNEAUX DE CHALEUR RADIANTE ÉLECTRIQUES AZTEC



CARACTÉRISTIQUE			Panel Width	Watt Density	LA PUISSANCE EN WATTS							
N° de modèle	N° de modèle	N° de modèle			LONGUEUR DU PANNE							
AT+**@#@A	BT+**@#@B	QT+**@#@C			24"-35"	36"-47"	48"-59"	60"-71"	72"-83"	84"-95"	96"	
+ = Watt Density (H=High; M=Medium; L=Low) ** = Width of heater @@ = Length of panel # = AC Voltage designation (1=120; 2=240; 3=347; 7=277; 8=208) ^ = Max. Panel Length = 60 inches ^^ = Max. Panel Length = 72 inches			10" - 13"	High	155	235	315	390 [^]	N/A	N/A	N/A	
				Med.	130	195	260	325 [^]	N/A	N/A	N/A	
			Low	105	155	210	260 [^]	N/A	N/A	N/A		
			14" - 17"	High	235	350	470	585 [^]	N/A	N/A	N/A	
Med.	195	295		390	490 [^]	N/A	N/A	N/A				
Low	155	235	315	390 [^]	N/A	N/A	N/A					
18" - 21"	High	315	470	625	780	940 ^{^^}	N/A	N/A				
	Med.	260	390	520	650	780 ^{^^}	N/A	N/A				
Low	210	315	415	520	625 ^{^^}	N/A	N/A					
22" - 28"	High	375	565	750	940	1125	1315	1500				
	Med.	310	470	625	785	940	1095	1250				
Low	250	375	500	625	750	875	1000					

GARANTIE LIMITÉE

Tous les produits fabriqués par Marley Engineered Products sont garantis contre les défauts de main d'œuvre et de matériaux pendant un an à compter de la date d'installation, à l'exception des éléments chauffants qui sont garantis contre les défauts de main d'œuvre et de matériaux pendant cinq ans à compter de la date d'installation. Cette garantie ne s'applique pas aux dégâts causés par un accident, une mauvaise utilisation ou une modification; ou si la tension d'alimentation est supérieure de plus de 5% à la tension de la plaque signalétique; ou si l'équipement n'est pas installé ou câblé correctement ou s'il n'est pas entretenu conformément aux instructions d'installation du produit. Toutes les demandes de travail sous garantie doivent être accompagnées d'une preuve de la date d'installation.

Le client est responsable de tous les frais encourus pour la dépose et la ré-installation des produits, y compris la main d'œuvre et les frais d'expédition encourus pour renvoyer les produits au centre de service après-vente Marley Engineered Products. Dans les limites de cette garantie, les appareils défectueux doivent être retournés au centre de service après-vente agréé Marley le plus proche ou au centre de service après-vente Marley Engineered Products, et nous les réparerons ou remplacerons, à notre choix, sans frais pour vous, avec les frais de retour payés par Marley. Il est convenu que cette réparation ou ce remplacement constituent le seul recours offert par Marley Engineered Products.

LES GARANTIES CI-DESSUS REMPLACENT TOUTES LES AUTRES GARANTIES EXPRESSES OU IMPLICITES. ET TOUTES LES GARANTIES IMPLICITES DE COMMERCIALISÉ ET D'ADAPTATION À UN USAGE PARTICULIER EN EXCÈS DES GARANTIES EXPRESSES DÉJÀ CITÉES SONT PAR LA PRÉSENTE REJETÉES ET EXCLUES DE CET ACCORD. MARLEY ENGINEERED PRODUCTS NE SERA PAS RESPONSABLE DES DOMMAGES INDIRECTS CAUSÉS PAR LE PRODUIT, QU'ILS SOIENT LE FRUIT DE NÉGLIGENCE, TORT, RESPONSABILITÉ STRICTE, OU CONTRAT.

Certaines provinces ne permettent pas l'exclusion ou les limitations des dommages indirects et fortuits, les exclusions et limitations ci-dessus peuvent donc ne pas vous concerner. Cette garantie vous donne des droits légaux spécifiques, et vous pouvez avoir d'autres droits qui varient d'une province à l'autre.

Pour obtenir l'adresse du centre de service après-vente agréé le plus proche, contacter Marley Engineered Products à Bennettsville, SC, au 1-800-642-4328. Les marchandises renvoyées à l'usine doivent être accompagnées d'une autorisation de retour et d'une étiquette d'identification de service, qui peuvent toutes deux être obtenues de Marley Engineered Products. Lors de la demande d'autorisation de retour, inclure tous les numéros catalogue indiqués sur les produits.

COMMENT OBTENIR DES INFORMATIONS GÉNÉRALES ET DEMANDER UNE RÉPARATION OU DES PIÈCES SOUS GARANTIE

- Réparations et pièces sous garantie **1-800-642-4328**
- Achat de pièces de rechange **1-800-654-3545**
- Informations générales sur les produits **www.marleymep.com**

Remarque : Lorsque vous demandez de l'assistance, ayez toujours en main

- Le numéro de modèle du produit
- La date de fabrication
- Numéro ou description de la pièce

5200-2235-006

ECR 38134

03/09

12



Marley

Engineered Products

470 Beauty Spot Rd. East
Bennettsville, SC 29512 USA